

Door Control

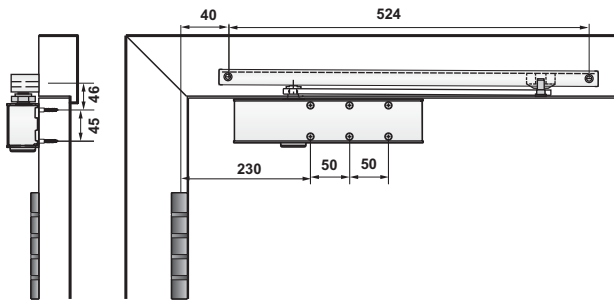
Overhead Door Closer



TS - 830

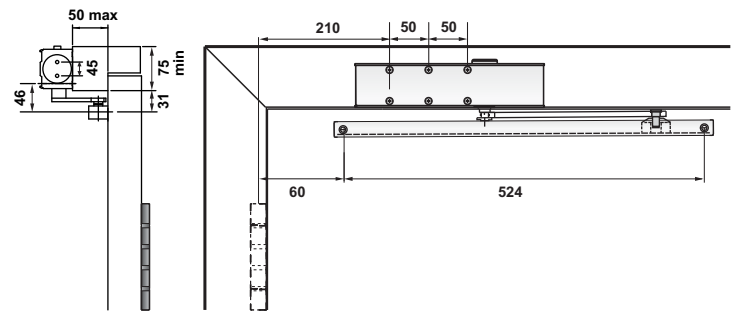
Dimension detail of Hinge Side

DIN left-door, DIN right laterally reversed
Standard mounting, hinge side

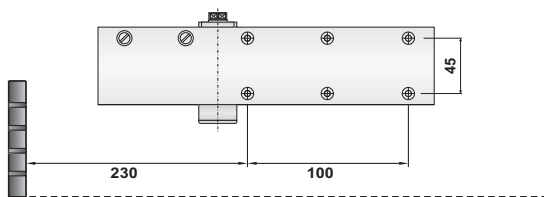


Dimension detail of Hinge-opposite Side

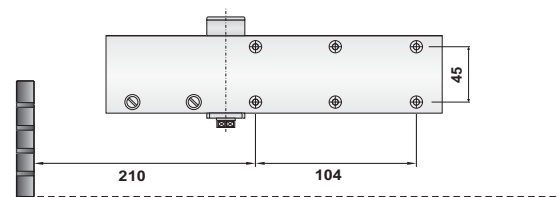
DIN left-door, DIN right laterally reversed
Head mounting, hinge-opposite side



Closing force EN 2 - 5

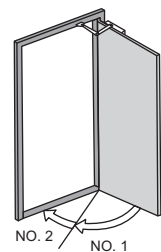
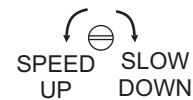
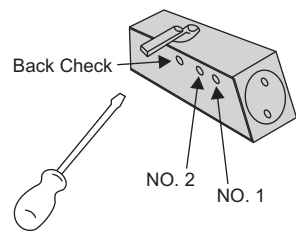


Closing force EN 2 - 5



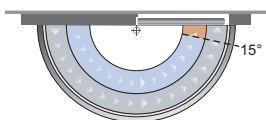
Adjustment of Closing Speed.

- Turn the valves clockwise to decrease closing speed.
- Turn the valves counter clockwise to increase closing speed.



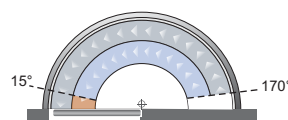
For Standard Arm

Closing force diagram, hinge side



- Closing Speed Continuously adjustable closing speed from approx 180° to 15°.
- Latching Speed Continuously adjustable latching speed from 15° to 0° to ensure complete latching.

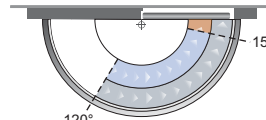
Closing force diagram, hinge-opposite side



- Closing Speed Continuously adjustable closing speed from approx 170° to 15°.
- Latching Speed Continuously adjustable latching speed from 15° to 0° to ensure complete latching.

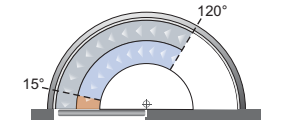
For Slide Rail

Closing force diagram, hinge side



- Closing Speed Continuously adjustable closing speed from approx 120° to 15°.
- Latching Speed Continuously adjustable latching speed from 15° to 0° to ensure complete latching.

Closing force diagram, hinge-opposite side



- Closing Speed Continuously adjustable closing speed from approx 120° to 15°.
- Latching Speed Continuously adjustable latching speed from 15° to 0° to ensure complete latching.

Optional Accessories

Special Features		TS ACC - 007
Closing Force	Size according to EN	2 - 5
Door Width	Size according to EN	Max. (in mm)
		≤ 1250
Door Weight	Max. (in kgs)	100
Accessory Type		Slide Rail with hold open

