

Door Control

Overhead Door Closer



TS - 830



TS - 830

Applicable door width - EN 2-6



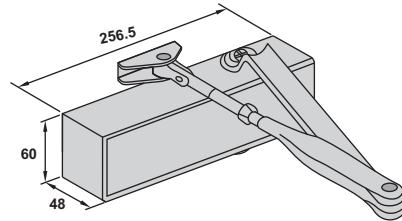
Door Closer with adjustable closing force EN 2-6

Specifications

- Hydraulic closing with two stage closing control.
- Adjustable closing force EN 2-6 (for door width up to 1400mm).
- With standard arm.
- Same version DIN left and DIN right.
- Mounting height only 60 mm.
- Maximum door weight - 120 kgs.
- Maximum door width - 1400 mm.
- Maximum angle of opening - 180°.
- Tested - 500,000 Cycles.
- Finish - Silver.

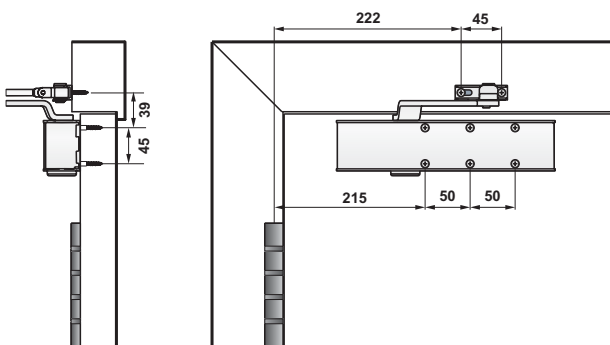
Classification Number of TS-830

4	8	6 2	1*	1	4
---	---	--------	----	---	---



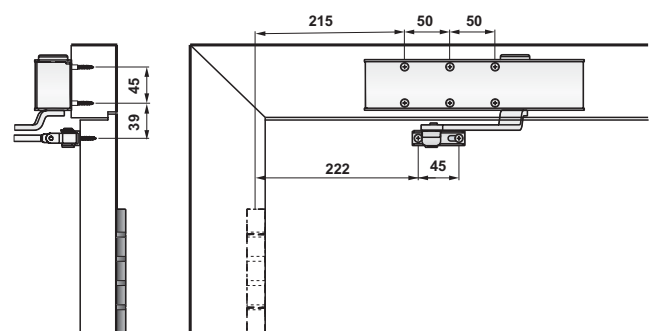
Dimension detail of Hinge Side

DIN left-door, DIN right laterally reversed
Standard mounting, hinge side



Dimension detail of Hinge-opposite Side

DIN left-door, DIN right laterally reversed
Head mounting, hinge-opposite side



Closing force EN 2 - 6

